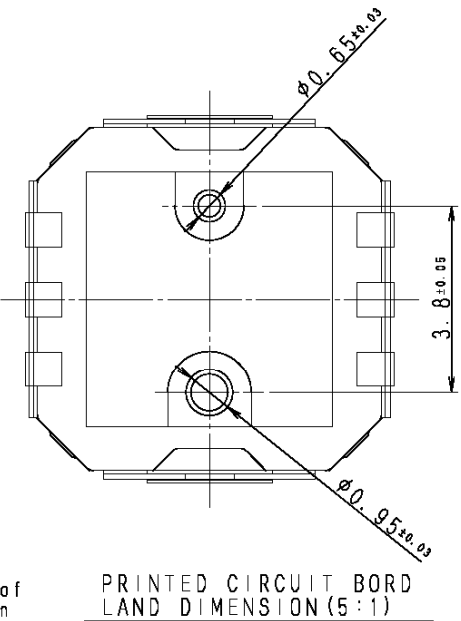
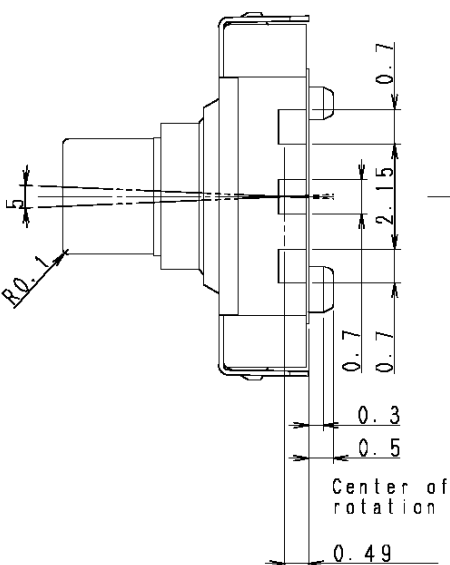
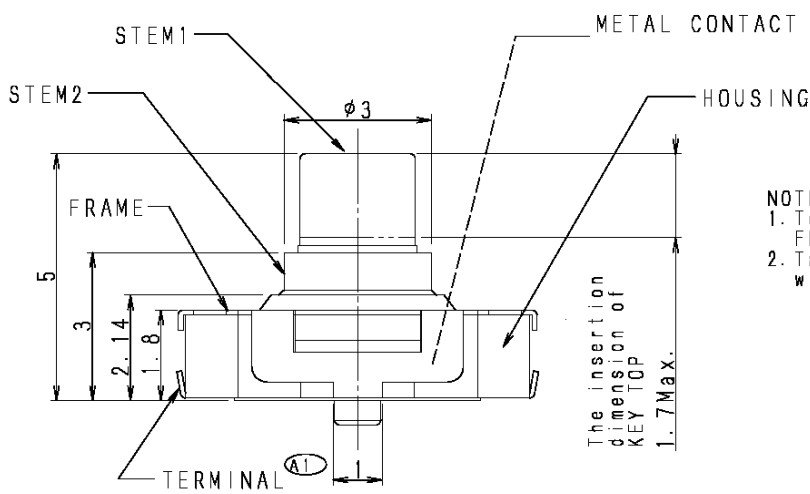


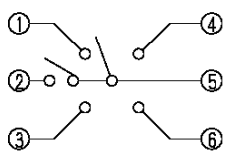
The direction of the operation.



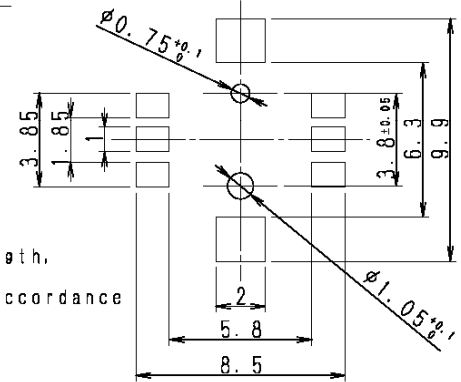
PRINTED CIRCUIT BOARD
LAND DIMENSION (5:1)



CIRCUIT DIAGRAM

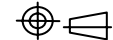


NOTE
1. To secure in the switch strength,
FRAME surely solder.
2. Taping specification to be accordance
with TRH-901.



TOLERANCE UNLESS OTHERWISE	
BASIC DIMENSIONS	TOLERANCES
UP TO 10	±0.3
ABOVE 10 TO 100	±0.5
ABOVE 100	±0.8
ANGULAR DIMENSINDS±3°	


 銓基電子股份有限公司
 ROKI ELECTRONICS CO., LTD.

PART NAME : TACT SWITCH	SCALE :
PART NO : TS110M-P-PF	UNIT : mm
TOLERANCE : ±0.2 mm	 VER : R01